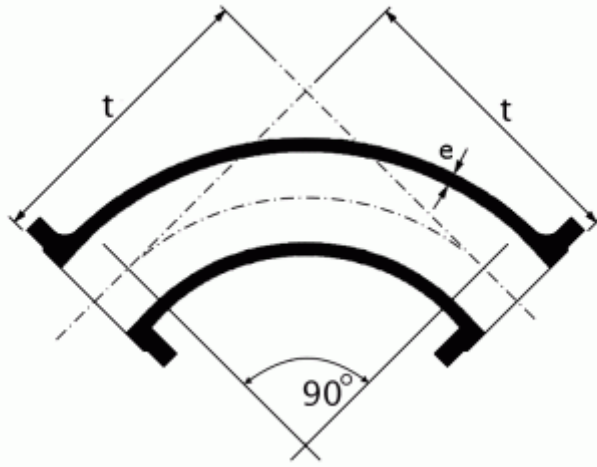




Double Flanged 90° Bend, Long Radius



K=12

Unit: mm

DN	e	t	Weight (kg)			
			PN 10	PN 16	PN 25	PN 40
80	7.0	380	13.8	13.8	13.8	13.8
100	7.2	400	18.0	18.0	19.0	19.0
150	7.8	450	30.0	30.0	32.0	36.2
200	8.4	500	45.9	45.5	49.7	60.3
250	9.0	550	65.8	65.0	72.8	93.0
300	9.6	600	90.3	89.5	100.7	131.7
350	10.2	650	114.8	121.0	137.6	-
400	10.8	700	145.8	157.0	179.6	-
450	11.4	750	179.8	197.0	228.0	-
500	12.0	800	221.6	252.0	275.4	-
600	13.2	900	326.0	379.0	407.4	-